

CYCO[®]

OIL BURNER NOZZLE

Dongguan Changyuan Spraying Technology Co.,Ltd.

Dongguan Changyuan Spraying Technology Co.,Ltd.

Add:Xiabian Industrial Zone, Chang An Town, Dongguan City, Guangdong Province, China 523877

Tel:86 769 81558002

Fax:86 769 81558831

Email:sales@ccnozzle.com

Web:ccnozzle.com

По всем вопросам обращайтесь в компанию "ТИ-СИСТЕМС":
Тел/факс: +7(495)7774788, 5007154, 55, 65, 7489626, +7(925)7489127, 28, 29
Электронная почта: info@tisis.ru Интернет: www.tisis.ru www.tisis.kz www.tisis.by

COMPANY PROFILE

After more than ten years of development, Dongguan Changyuan Spraying Technology Co., Ltd. has become a high-tech enterprise integrating R&D, production and sales. We specialize in the manufacture of various types of spray products for industrial application. The variety is up to several thousand for more than 5,000 customers. We are one of the largest spray nozzle manufacturers in China now. The management have maintained good cooperative relationship with technical experts from Taiwan and Japan etc. We have dozens of fully automatic CNC lathes imported from Japan with an accuracy of less than 2 microns, multiple five-axis machining centers with a orifice precision of 0.1mm, high-voltage test benches and other precision droplet testing instruments. The advanced equipment better ensures the quality improvement. The nozzles can be made of engineering polypropylene, ceramics, alloys, imported 303, 304 or 316 stainless steel according to the actual working environment. Our engineers and technicians have very rich experience who can provide fast technical support according to customer's specific requirement. More than 90% of our metal materials are imported to ensure the stable quality for customers.

We provide fast sampling, short delivery time, and have multiple cargo vehicles to provide customers with fast and excellent service. We have offices in Shanghai, Tianjin, Xi'an, Chongqing, Qingdao, Wuhan, Ningbo and Changsha which are directly managed by the headquarter, and can provide better service for our customers.

We have passed the ISO9001 and ISO14001 product quality and environmental certification. Headquartered in Dongguan, Guangdong, we are a general taxpayer with standardized management and strict system to meet the various needs of customers.



WORKSHOP OVERVIEW



По всем вопросам обращайтесь в компанию "ТИ-СИСТЕМС":
Тел/факс: +7(495)7774788, 5007154,-55,-65, 7489626, +7(925)7489127, 28, 29
Электронная почта: info@tisis.ru Интернет: www.tisis.ru www.tisis.kz www.tisis.by

Od Series Burner Nozzle

Product Introduction

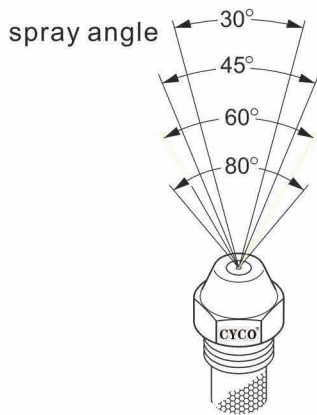
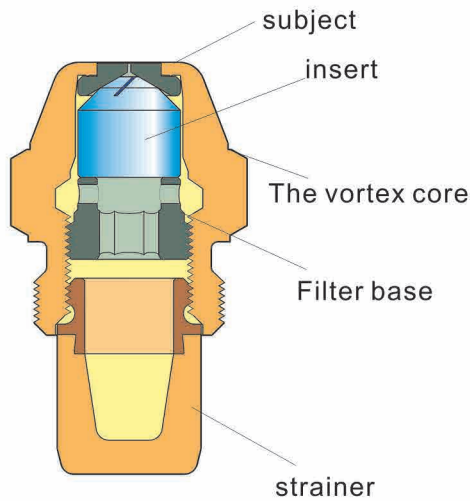
OD fuel nozzle is a single fluid high-pressure atomizing burner nozzle, which is suitable for atomizing burning of light oil and heavy oil. This series have four different angles 45°, 30° to 60°, 80°, and 3 kinds of spraying pattern: solid (S) and half solid cone(B), hollow(H), the flow parameter is from 0.5 us gal to 35 us gal.

Features:

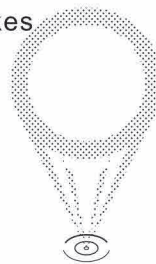
1. Light oil, heavy oil atomizing
2. Flow range is from 0.5 usgal to 35 usgal
3. 100% capacity test before packing

Order Reference

CYCO	OD	1.75	60°	S	
Brand	Serial No.	Model No.	Spray angle	Spray Pattern	



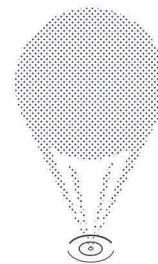
Sprayed Strokes



spray pattern

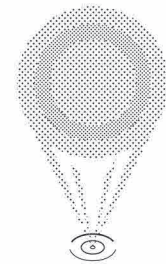
hollow

H



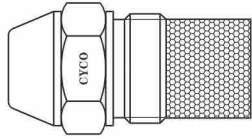
solid

S

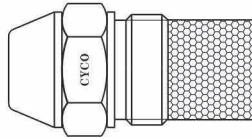


semi solid

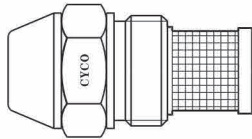
B



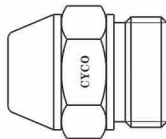
0.5usgal—0.85usgal



1.0usgal—1.75usgal



2.0usgal—11.0usgal



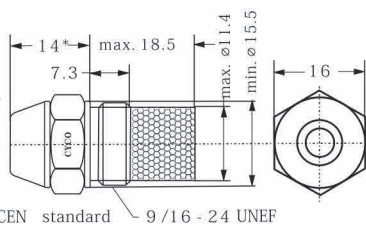
12.0usgal

Torque After Installed

Nozzle mounting button	
Recommend installed torque	15-20Nm
Max. installed torque	25Nm

model	spray angle				rate of flow (10bar) kg/h
	30°	45°	60°	80°	
0.50	H S	H S	H S	H S	1.87
0.55	H S	H S	H S	H S	2.11
0.60	H S	H S	H S	H S	2.37
0.65	H S B	H S B	H S B	H S B	2.67
0.70	H S B	H S B	H S B	H S B	2.94
0.85	H S B	H S B	H S B	H S B	3.31
1.00	H S B	H S B	H S B	H S B	3.72
1.10	H S	H S	H S	H S	4.24
1.20	H S	H S	H S	H S	4.45
1.25	H S B	H S B	H S B	H S B	4.71
1.35	H S B	H S B	H S B	H S B	5.17
1.50	H S B	H S B	H S B	H S B	5.84
1.65	H S	H S	H S	H S	6.08
1.75	H S	H S	H S	H S	6.55
2.00	H S B	H S B	H S B	H S B	7.42
2.25	H S B	H S B	H S B	H S B	8.35
2.50	H S B	H S B	H S B	H S B	9.29
2.75	H S B	H S B	H S B	H S B	10.5
3.00	H S B	H S B	H S B	H S B	11.6
3.50	S	S	S	S	12.9
3.75	B	S B	S B	S B	13.8
4.00		S	S	S	14.2
4.50		S B	S B	S B	16.1
5.00		S B	S B	S B	18.5
5.50		S B	S B	S B	20.9
6.00		S B	S B	S B	23.4
6.50		B	B	B	26.1
7.00			S		27.9
7.50		B	B	B	29.8
8.00			S		31.5
8.50		B	B	B	33.1
9.00			S		35.4
10.00		B	B	B	37.7
11.00		B	B	B	42.5
12.00		B	B	B	47.7
13.50		B	B	B	54.3
15.00		B	B	B	60.4
17.00			B	B	67.4
19.50			B	B	76.2
22.00		B	B	B	86.4
25.00			B	B	96.7
28.00			B	B	109.5
31.50		B	B	B	122.5
35.00		B			133.5

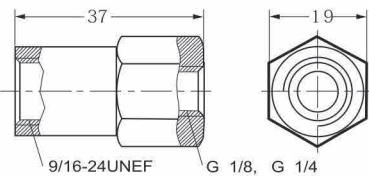
Nozzle size



*CEN standard 9/16 - 24 UNEF

А30-164.11

Nozzle connection size

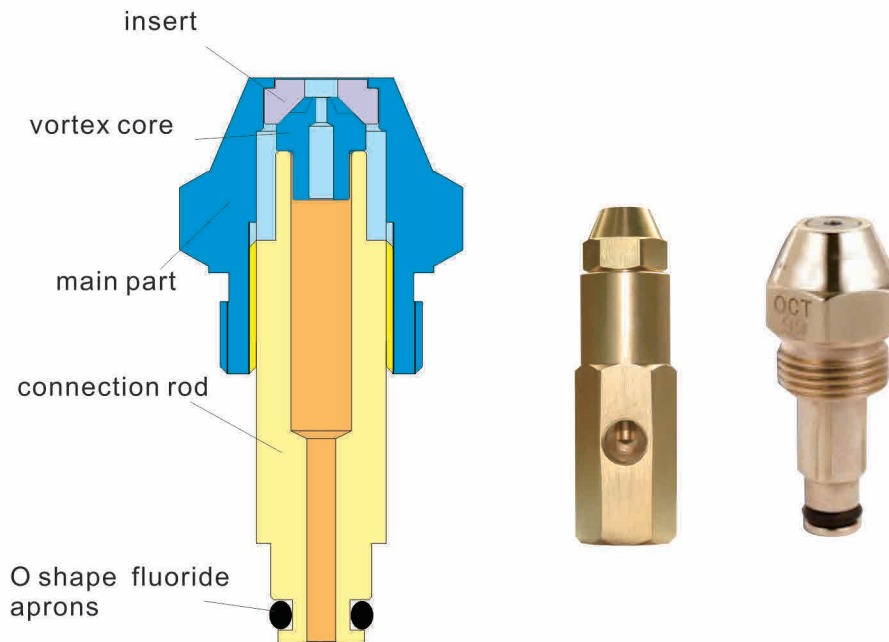


30-22.14

Siphon Air Atomizing Oil Nozzle

Product Introduction

Siphon air atomizing nozzle is a kind of air atomizing nozzle that can create the best atomizing effect under low pressure. It is widely used in diesel oil, heavy oil, waste residue oil, animal and plant oil, alcohol-based fuel combustion machine system, as well as kerosene, oil atomization.



Product Technical Characteristics:

1. Atomizing and mixing oil droplet by using the cyclone of compressed air in the pipeline.
2. Small oil mist particles can be produced at low pressure and low gas volume.
3. Spray flow, angle and particle size can be adjusted by controlling air flow and pressure
4. Larger fluid channel, so there is a good anti-blocking effect
5. Excellent effect in liquid atomization of oil viscosity such as, heavy oil, waste oil combustion machine, oil.

Application:

It is widely used in diesel oil, heavy oil, waste engine oil, waste residue oil, animal and plant oil, alcohol-based fuel and other fuel, gas, combustion spray systems, workshop spray humidification and cooling systems, parts cleaning and dust removal, industrial spray products of various types.

Parameter

Burner Nozzle

Model No	Air Pressure 0.1Mpa Capacity Kg/h	Air Pressure 0.2Mpa Capacity Kg/h	Air Pressure 0.3 Mpa Capacity Kg/h	Height mm
MK-04	1 . 5	1 . 0	- -	200
MK-07	3 . 6	4 . 5	4 . 0	200
MK-09	4 . 0	5 . 5	5 . 6	200
MK-11	5 . 0	6 . 0	6 . 0	200
MK-13	5 . 5	6 . 5	6 . 6	200
MK-15	6 . 6	9 . 0	9 . 5	200
MK-19	13.0	18.0	21.0	200

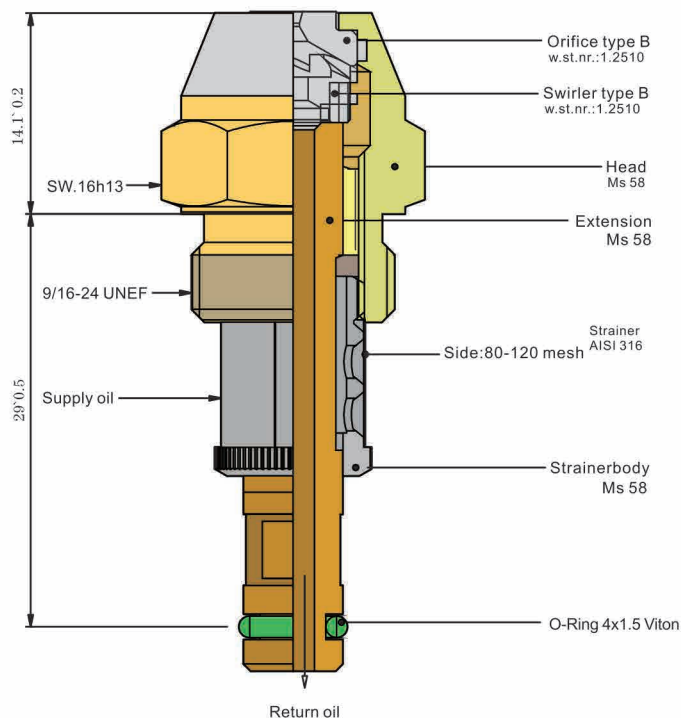
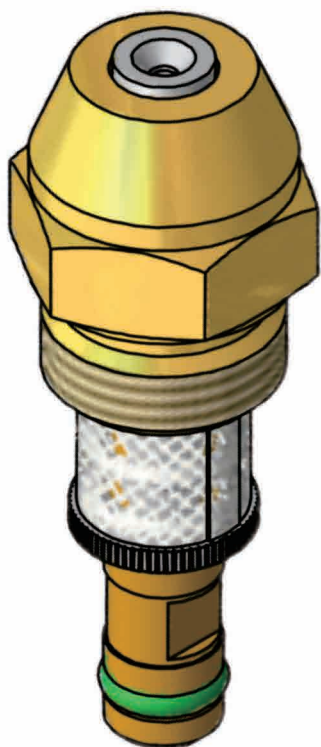
Oil Atomization Nozzle

Model No	Spiral Chute	Orifice Size	Insert	Air Pressure 0.2 Mpa Capacity Kg/h	Height mm
WN-01	4 x 0.8	Φ1.2	Φ3.0	10	200
WN-02	6 x 0.8	Φ2.0	Φ3.2	15	200
WN-03	6 x 0.8	Φ2.3	Φ3.5	20	200
WN-04	6 x 1.2	Φ2.5	Φ4.0	30	200

Back Flow Oil Nozzle

Product Introduction

The back-flow oil nozzle is a single fluid pressure atomizing nozzle which can adjust the spray capacity and angle. There is a channel inside for oil returning. When the returning oil valve is opened, part of the fuel can return to the tank through the channel. At the same time, the oil pressure in the front of the nozzle is basically unchanged, so the atomization effect of the nozzle is stable even when the capacity is changed.



Application Characteristics

1. The capacity of the nozzle can be accurately controlled by oil returning pressure
2. Spray Angle range is small
3. Stable oil supply pressure, variable capacity, stable atomization effect
4. A wide range of capacity for options

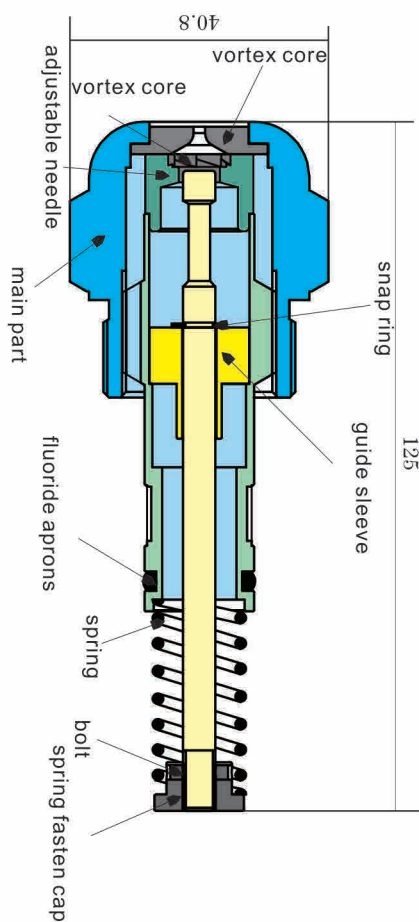
Specification and Characteristics

1. Capacity: 20-750kg/h
2. Spray angle: 30° 35° 45° 50° 60° 70° 80°
3. Adjust ratio: 1:3-1:5

Energy Nozzle

Product Introduction

The energy nozzle is a pressure atomizing nozzle that can adjust the spray flow and angle. There are oil returning channels and thimble inside. When the oil return valve is opened, the area of oil returning channel can be changed by the thimble to control the oil returning volume and angle.



Characteristics

1. By changing the area of the return oil channel to control the volume of returning oil, so as to adjust the capacity of injection
2. Capacity: 600-2400kg/h
3. Spray angle: 45°

Methanol Nozzle

Product Introduction

Methanol nozzle is one of mechanical air atomizing nozzle designed by Changyuan. It combines the advantages of simple mechanical misting nozzle and high-pressure air flow misting nozzles, and eliminates each disadvantage by using a higher oil pressure and high speed gas to lower down the oil pressure and air consumption than the mechanical atomizing nozzle. So the adjustment ratio is expanded, atomizing performance is improved, also the gas consumption is saved

Product Characteristics

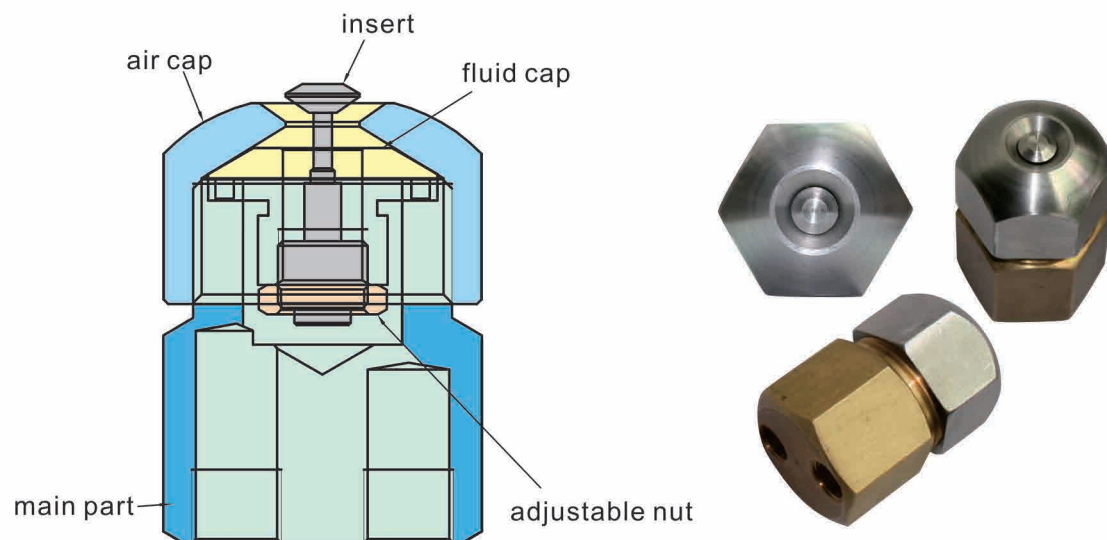
1. Wide adjustable flow range
2. High accuracy of flow control
3. Excellent atomizing performance

Application and Specification

Applied to burner system of light and heavy oil, alcohol-based fuel system.

Parameter

Model	Air pressure 0.3Mpa	Oil pressure 0.1Mpa	Air pressure 0.3Mpa	Oil pressure 0.2Mpa	Air pressure 0.3Mpa	Oil pressure 0.3Mpa
	Capacity kg/h		Capacity kg/h		Capacity kg/h	
JC-1	20		80		120	
JC-2	60		200		300	



Asphalt Nozzle

Product Introduction

Asphalt nozzle is a new type of mechanical medium atomizing nozzle. Its structure includes a central pressure atomizing nozzle and an atomized air passage. Mainly used in asphalt tanker heating system.

Specification and Application

It is mainly used in the combustion of heavy and light oil with large capacity

Parameter

Asphalt nozzle	Oil/Air Pressure 0.1Mpa	Oil/Air Pressure 0.15Mpa	Oil/Air Pressure 0.2Mpa	Oil/Air Pressure 0.25Mpa	Oil/Air Pressure 0.3Mpa
Capacity KG/H	450	740	850	960	1100

